

LAMP®

A NEW STEP FOR HINGE TECHNOLOGY

OLYMPIA

360 POWERED BY  Lapcon

No. 350 CATALOGUE

New Thick Door Type H360



 SUGATSUNE



concept.04
Ingenious 3-way adjustment [P.07]

concept.03
Easy, time-saving installation [P.07]

concept.01
5-speed adjustable soft close [P.04]

The Japanese hinge

Containing over 80 years of
Sugatsune knowhow

OLYMPIA

360 POWERED BY  Lapcon.



concept.02

Extreme durability [P.06]

Quality at a touch

From the initial design stage to the final inspection of the Olympia hinge, we are proud to stamp it with our LAMP brand, a sure sign of long-term quality.

C O N T E N T S

concept ————— P.04

lineup ————— P.08

specifications ————— P.10

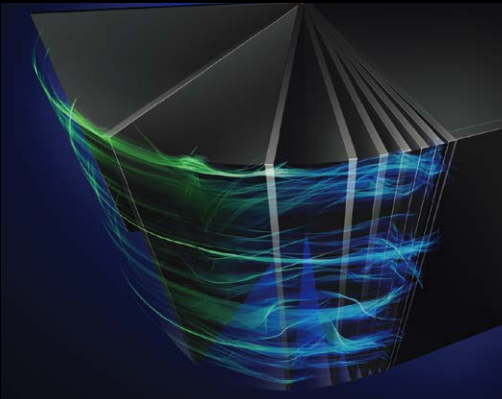


concept
01





5-speed adjustable soft close.
The first Sugatsune concealed hinge ever
built with Lapcon technology.



The first time Sugatsune's unique Lapcon technology has ever been used inside a concealed hinge. The innovative rotary damper is not only extremely compact, for sleek overall design, its force can also be adjusted in 5 steps for a perfect match regardless of the door size or weight.

■ ■
concept
02
■ ■

Successfully passed 200,000 cycles test.

For a piece of furniture to last a lifetime,
the hinge must perform flawlessly the
whole time.

Despite official requirements by JIS
(Japanese Standards) asking for only
40,000 cycles, the Olympia hinge has
cleared 5 times as many to ensure that
you will always be able to open and
close your doors without worry.
(The H360 successfully passed
100,000 private cycle test)



concept
03



Smooth assembly for a
time-saving installation.

Using an original design of the Turn-Lock system, Olympia can be installed by simply pushing it from the top. This simplifies the installation compared to a traditional Front-First installation, especially in cases where multiple hinges are used.

One screwdriver for a one-handed
3D adjustment.

concept
04



Depth, vertical, horizontal adjustment screws are all located on top. This was made possible because of our original damper.

For standard doors (360)
Depth adjustment: +1.5mm, -2.5mm
Vertical adjustment: ±2.5mm
Overlay (Horizontal) adjustment: +0, -4mm

For thick doors (H360)
Depth adjustment: +1.7mm, -2.8mm
Vertical adjustment: ±2.5mm
Overlay (Horizontal) adjustment: +0, -4mm

Thick doors(φ40) 85°angle Sprung-open Glass door face plate are also available solutions.

	Application				Installation		Type		Item code	Item name	Page	
	Overlay	Thickness	Opening angle	Overlay range	Cup size	Cup depth	Damper	Catch				
Standard door φ35	19mm	Wood door 15 - 20	105°	15 - 19 *1	φ35	11	○		160-026-840	360-D26-19T	P.10	
									160-026-836	360-26-19T		
								○	160-026-832	360-C26-19T		
								NEW 160-042-389	360-U26-19T (Sprung-open)			
			○					NEW 160-034-889	360-D26-19T85			
								NEW 160-034-886	360-26-19T85			
			NEW 160-034-883	360-C26-19T85								
	14mm	Wood door 15 - 20	105°	10 - 14 *1			○		160-026-841	360-D26-14T	P.11	
									160-026-837	360-26-14T		
								○	160-026-833	360-C26-14T		
								NEW 160-042-390	360-U26-14T (Sprung-open)			
			○					NEW 160-034-890	360-D26-14T85			
					NEW 160-034-887	360-26-14T85						
9mm	Glass door 4 - 6	105°	5 - 9 *1	○		160-026-842	360-D26-9T	P.12				
						160-026-838	360-26-9T					
					○	160-026-834	360-C26-9T					
					NEW 160-042-391	360-U26-9T (Sprung-open)						
		○			NEW 160-034-891	360-D26-9T85						
					NEW 160-034-888	360-26-9T85						
Inset		93°	Inset			160-026-843	360-D26-0T	P.13				
						160-026-839	360-26-0T					
					○	160-026-835	360-C26-0T					
						NEW 160-042-392	360-U26-0T (Sprung-open)					
Thick door φ40	26mm	Wood door 18 - 30	100°	22 - 26 *2	φ40	15	○		NEW 160-029-084	H360-D26-26T	P.14	
									NEW 160-029-081	H360-26-26T		
								○	NEW 160-029-078	H360-C26-26T		
	16mm		12 - 16 *2	○				NEW 160-029-085	H360-D26-16T	P.15		
								NEW 160-029-082	H360-26-16T			
							○	NEW 160-029-079	H360-C26-16T			
	Inset		Inset	93°			Inset	○		NEW 160-029-086	H360-D26-0T	P.16
										NEW 160-029-083	H360-26-0T	
									○	NEW 160-029-080	H360-C26-0T	

*1 For a Bore Distance (C) of 5mm. *2 For a Bore Distance (C) of 8mm.

Mounting plates



▶ P.17

NEW Glass door face plate GH-360FP

▶ P.18

Installation jig 360-JIG

▶ P.19

NEW 85° Angle limiter 360-85

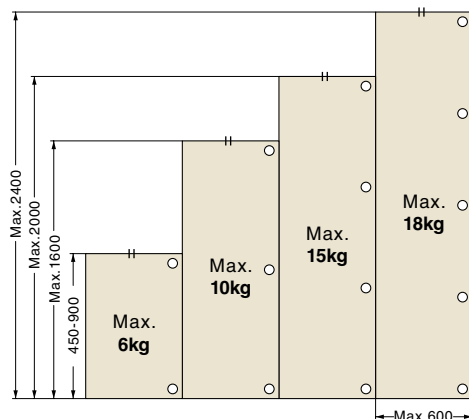
▶ P.19

Countersunk head tapping screw 3.5×15NI *Sold in boxes of 400 pieces

▶ No.240A CATALOGUE P.626

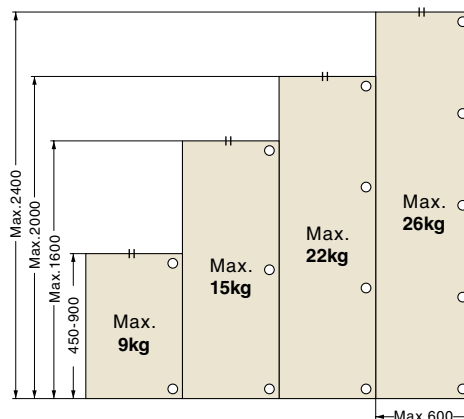
Door size and recommended hinge quantity

Standard wood doors 360



Door width	Door thickness	Material density	Installation pitch
Max. 600	Max. 20	Max. 0.6	Min. 300

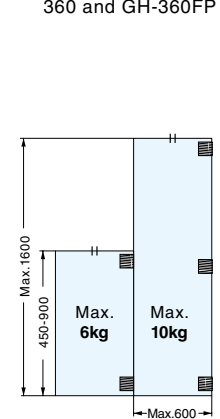
Thick wood doors H360



Door width	Door thickness	Material density	Installation pitch
Max. 600	Max. 30	Max. 0.6	Min. 300

Glass doors

360 and GH-360FP

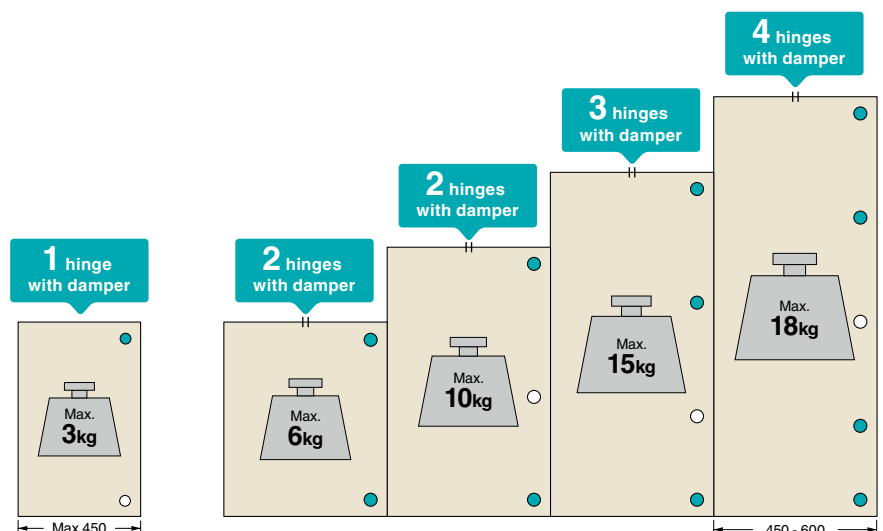


Glass thickness	Installation pitch
4 - 6	Min. 300

Recommended type of damper per installation

- With damper
- With catch

- * The table on the right is for 360 hinge. Please contact us for the H360 hinge.
- * Please refer to the table above for door sizes.



- Please set the door center of gravity as the door center.
- If you want to increase the door width, please increase the number of hinges accordingly.
- Attach the upper and lower hinges within 100 mm from the edge of the door. When using three or more, install at regular intervals.
- Figures shown in the tables above are only indicative. Please always test before finalizing your design.
- Please contact us for any other configuration.
- The dimensions of the door and the number of hinges mounted are the results of tests made according to the JIS standard.
- All screw holes should be used.

19 mm overlay / 105° opening, 85° opening

LAMP

With damper function (5 levels)



Damper power adjustment lever

The picture above shows a combination of a concealed hinge (with damper) and a mounting plate (sold separately).

Overlay
15-19mm (when bore distance is 5mm)

Cup size $\phi 35$
Bore Depth 11mm Door Thickness 15-20mm

3D adjustment
Depth: +1.5, -2.5mm, Vertical: ± 2.5 mm,
Overlay: +0, -4mm

Sold separately: ▶ P.17 -

- Mounting plates Glass door face plate
- Countersunk head tapping screw 3.5 x 15NI Other
- Recommended screws: (Countersunk head wood/tapping screw 3.5)

Body

Mounting plate

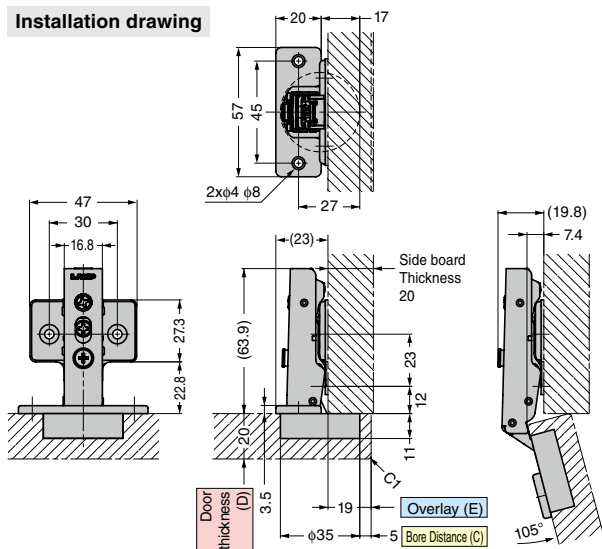
Option parts

Standard doors

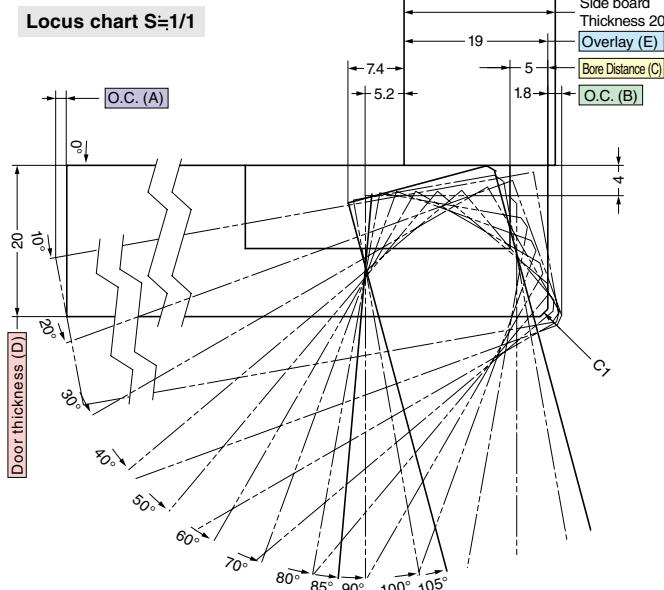
Thick doors

Glass doors

▶ The installation drawing and locus chart shown are for a 20 mm thick door and side board, 19mm overlay and a 5mm bore distance. Opening angle is 105°.



Drawings show a hinge, face plate and 360-P4W-30T mounting plate (sold separately).



Opening Clearance (O.C.)

Clearances for door edge O.C. (A) and hinge side O.C. (B) are necessary. O.C. (A) and (B) change depending on door thickness and bore distance (C). Refer to locus chart and tables below when designing cabinets.

Opening clearance (B), door thickness (D) and bore distance (C) relationship

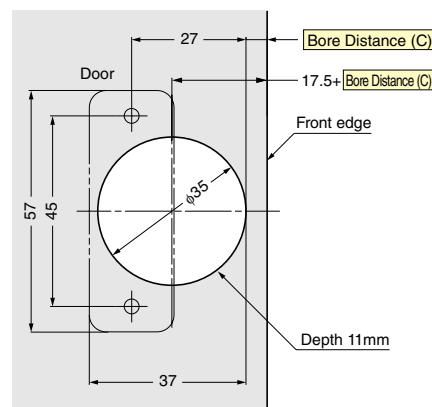
Door Thickness (D)	Bore Distance (C)		
	3	4	5
15	0.6	0.6	0.5
16	0.8	0.8	0.7
17	1.0	1.0	1.0
18	1.3	1.3	1.2
19	1.6	1.6	1.5
20	2	1.9	1.8
21*	2.4	2.3	2.2
22*	2.8	2.7	2.6

O.C. (B)

* The table above shows O.C. (B) for C1 chamfering (chamfer plane).

* Please refer to the locus chart if door thickness is over 20mm. O.C. (B) can be made smaller by R chamfering (round chamfer) and C chamfering (chamfer plane) on the door.

Cut out dimensions (wooden doors)



Bore distance (C) and overlay (E) relationship

Bore Distance (C)	3	4	5
Overlay (E)	17	18	19

Overlay can be decreased by up to 4mm by turning the overlay adjustment screw.

Opening clearance (A) and door width relationship (for 20mm thick door)

Door Width	300	400	500	600
O.C. (A)	0.13	0.09	0.07	0.06

	Item code	Item name	Opening angle	Type	Material	Finish	Carton
CAD	160-026-840	360-D26-19T	105°	With damper (5 levels)	Steel	Nickel	100pcs
CAD	160-026-836	360-26-19T		Without catch			200pcs
CAD	160-026-832	360-C26-19T		With catch			
NEW	160-042-389	360-U26-19T	85°	Sprung-open			100pcs
NEW	160-034-889	360-D26-19T85		With damper (5 levels)			200pcs
NEW	160-034-886	360-26-19T85		Without catch			
NEW	160-034-883	360-C26-19T85		With catch			

14mm overlay / 105° opening, 85° opening

LAMP

With damper function (5 levels)



Damper power adjustment lever

The picture above shows a combination of a concealed hinge (with damper) and a mounting plate (sold separately).

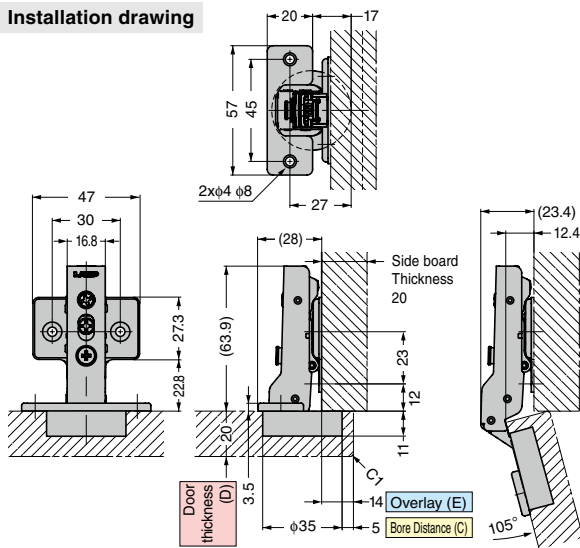
Overlay 10-14mm (when bore distance is 5mm)
Cup size $\phi 35$ Bore Depth 11mm Door Thickness 15-20mm
3D adjustment Depth: +1.5, -2.5mm, Vertical: ± 2.5 mm, Overlay: +0, -4mm

Sold separately: ▶ P.17 -

- Mounting plates Glass door face plate
- Countersunk head tapping screw 3.5 x 15NI Other
- Recommended screws: (Countersunk head wood/tapping screw 3.5)

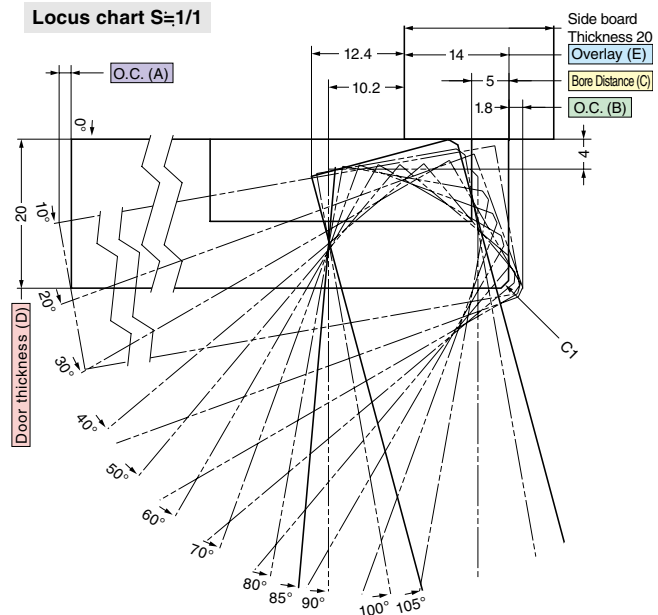
▶ The installation drawing and locus chart shown are for a 20 mm thick door and side board, 14mm overlay and a 5mm bore distance. Opening angle is 105°.

Installation drawing

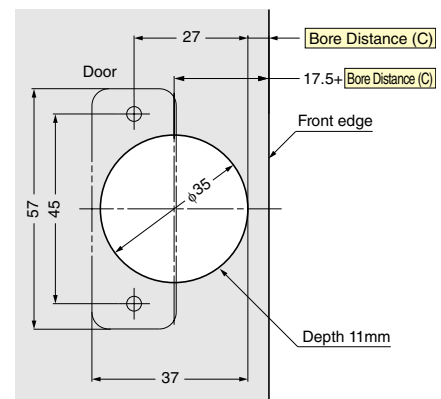


Drawings show a hinge, face plate and 360-P4W-30T mounting plate (sold separately).

Locus chart S=1/1



Cut out dimensions (wooden doors)



Opening Clearance (O.C.)

Clearances for door edge O.C. (A) and hinge side O.C. (B) are necessary. O.C. (A) and (B) change depending on door thickness and bore distance (C). Refer to locus chart and tables below when designing cabinets.

Opening clearance (B), door thickness (D) and bore distance (C) relationship

Door Thickness (D)	Bore Distance (C)		
	3	4	5
15	0.6	0.6	0.5
16	0.8	0.8	0.7
17	1.0	1.0	1.0
18	1.3	1.3	1.2
19	1.6	1.6	1.5
20	2	1.9	1.8
21*	2.4	2.3	2.2
22*	2.8	2.7	2.6
O.C. (B)			

* The table above shows O.C. (B) for C1 chamfering (chamfer plane).

* Please refer to the locus chart if door thickness is over 20mm. O.C. (B) can be made smaller by R chamfering (round chamfer) and C chamfering (chamfer plane) on the door.

Bore distance (C) and overlay (E) relationship

Bore Distance (C)	3	4	5
Overlay (E)	12	13	14

Overlay can be decreased by up to 4mm by turning the overlay adjustment screw.

Opening clearance (A) and door width relationship (for 20mm thick door)

Door Width	300	400	500	600
O.C. (A)	0.13	0.09	0.07	0.06

	Item code	Item name	Opening angle	Type	Material	Finish	Carton	
CAD	G 160-026-841	360-D26-14T	105°	With damper (5 levels)	Steel	Nickel	100pcs	
CAD	G 160-026-837	360-26-14T		Without catch				
CAD	G 160-026-833	360-C26-14T		With catch				
NEW	CAD G 160-042-390	360-U26-14T	85°	Sprung-open			200pcs	
NEW	CAD G 160-034-890	360-D26-14T85		With damper (5 levels)				100pcs
NEW	CAD G 160-034-887	360-26-14T85		Without catch				
NEW	CAD G 160-034-884	360-C26-14T85		With catch	200pcs			

9 mm overlay / 105° opening, 85° opening

LAMP

With damper function (5 levels)



Damper power adjustment lever

The picture above shows a combination of a concealed hinge (with damper) and a mounting plate (sold separately).

Overlay 5-9mm (when bore distance is 5mm)
Cup size $\phi 35$ Bore Depth 11mm Door Thickness 15-20mm
3D adjustment Depth: +1.5, -2.5mm, Vertical: ± 2.5 mm, Overlay: +0, -4mm

Sold separately: ▶ P.17 -

- Mounting plates Glass door face plate
- Countersunk head tapping screw 3.5 x 15NI Other
- Recommended screws: (Countersunk head wood/tapping screw 3.5)

Body

Mounting plate

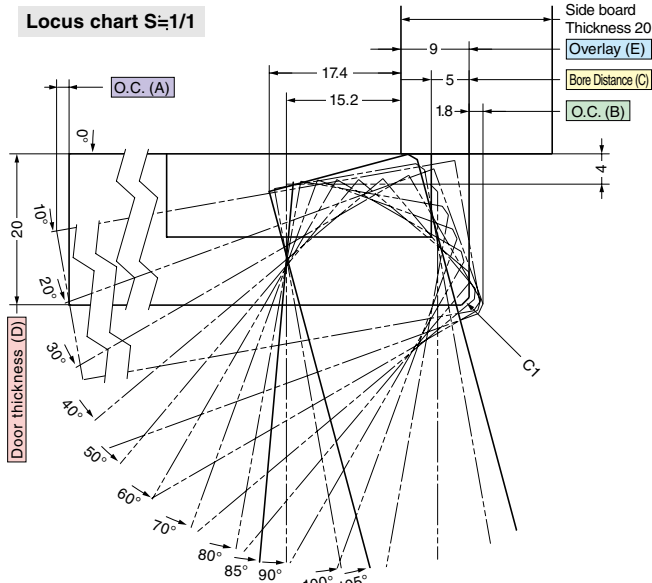
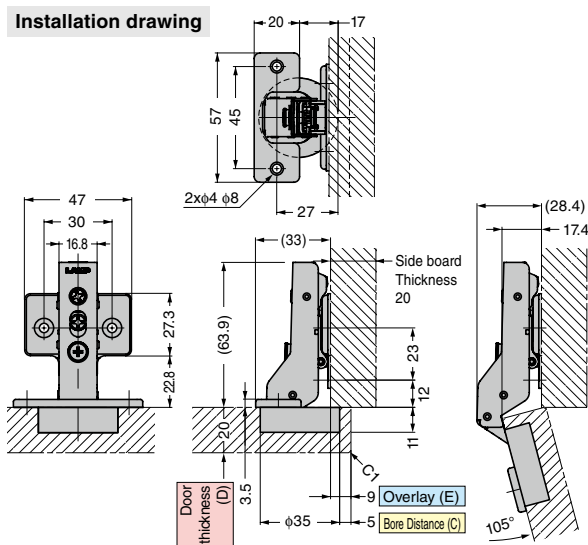
Option parts

Standard doors

Thick doors

Glass doors

▶ The installation drawing and locus chart shown are for a 20 mm thick door and side board, 9mm overlay and a 5mm bore distance. Opening angle is 105°.



Drawings show a hinge, face plate and 360-P4W-30T mounting plate (sold separately).

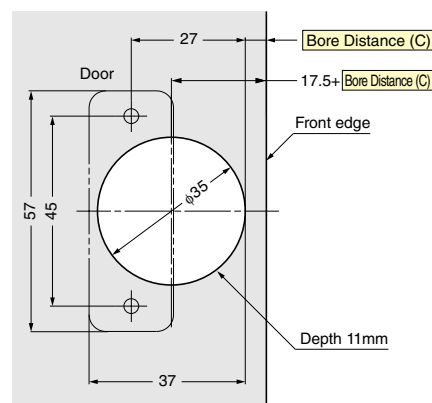
Opening Clearance (O.C.)

Clearances for door edge O.C. (A) and hinge side O.C. (B) are necessary. O.C. (A) and (B) change depending on door thickness and bore distance (C). Refer to locus chart and tables below when designing cabinets.

Opening clearance (B), door thickness (D) and bore distance (C) relationship

Door Thickness (D)	Bore Distance (C)		
	3	4	5
15	0.6	0.6	0.5
16	0.8	0.8	0.7
17	1.0	1.0	1.0
18	1.3	1.3	1.2
19	1.6	1.6	1.5
20	2	1.9	1.8
21*	2.4	2.3	2.2
22*	2.8	2.7	2.6
O.C. (B)			

Cut out dimensions (wooden doors)



* The table above shows O.C. (B) for C1 chamfering (chamfer plane).

* Please refer to the locus chart if door thickness is over 20mm. O.C. (B) can be made smaller by R chamfering (round chamfer) and C chamfering (chamfer plane) on the door.

Bore distance (C) and overlay (E) relationship

Bore Distance (C)	3	4	5
Overlay (E)	7	8	9

Overlay can be decreased by up to 4mm by turning the overlay adjustment screw.

Opening clearance (A) and door width relationship (for 20mm thick door)

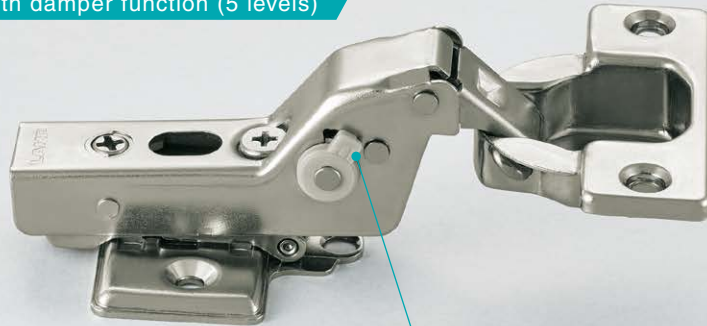
Door Width	300	400	500	600
O.C. (A)	0.13	0.09	0.07	0.06

Item code	Item name	Opening angle	Type	Material	Finish	Carton
160-026-842	360-D26-9T	105°	With damper (5 levels)	Steel	Nickel	100pcs
160-026-838	360-26-9T		Without catch			200pcs
160-026-834	360-C26-9T		With catch			
160-042-391	360-U26-9T	85°	Sprung-open			100pcs
160-034-891	360-D26-9T85		With damper (5 levels)			200pcs
160-034-888	360-26-9T85		Without catch			
160-034-885	360-C26-9T85		With catch			

Inset / 93° opening

LAMP

With damper function (5 levels)



Damper power adjustment lever

The picture above shows a combination of a concealed hinge (with damper) and a mounting plate (sold separately).

Cup size $\phi 35$
Bore Depth 11mm Door Thickness 15-20mm

3D adjustment
Depth: +1.5, -2.5mm, Vertical: ± 2.5 mm,
Overlay: +0, -4mm

Sold separately: ▶ P.17 -

- Mounting plates Glass door face plate
- Countersunk head tapping screw 3.5 x 15NI Other
- Recommended screws: (Countersunk head wood/tapping screw 3.5)

Body

Mounting plate

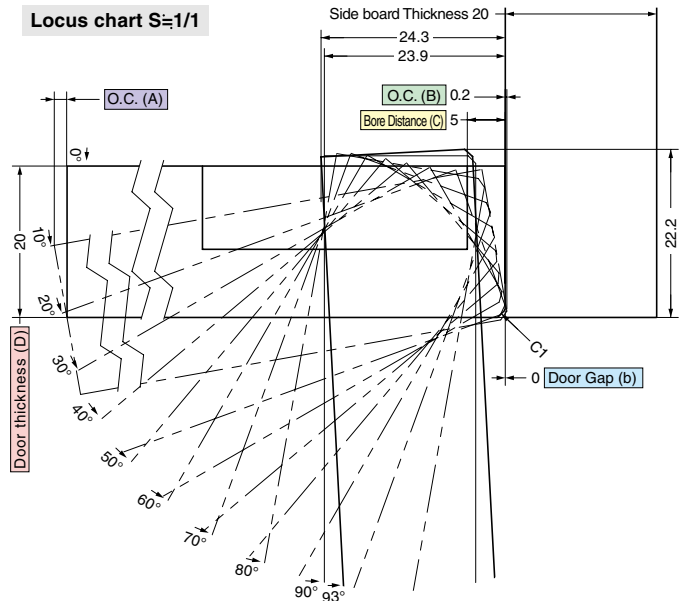
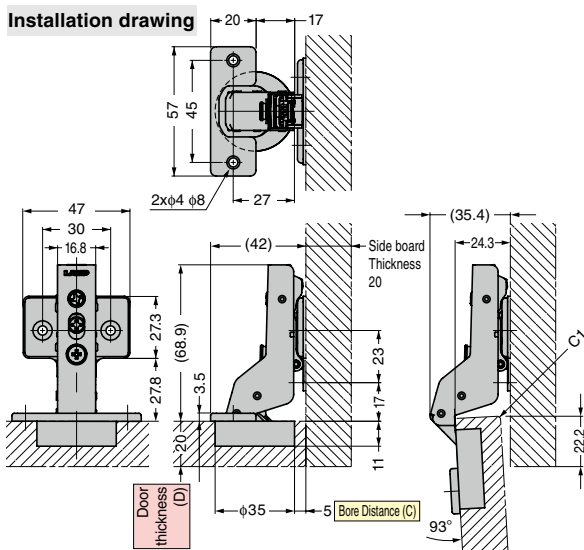
Option parts

Standard doors

Thick doors

Glass doors

▶ The installation drawing and locus chart shown are for a 20 mm thick door and side board, a 5mm bore distance and inset installation.



Drawings show a hinge, face plate and 360-P4W-30T mounting plate (sold separately).

Opening Clearance (O.C.)

Clearances for door edge O.C. (A) and hinge side O.C. (B) are necessary. O.C. (A) and (B) change depending on door thickness and bore distance (C). Refer to locus chart and tables below when designing cabinets.

Opening clearance (B), door thickness (D) and bore distance (C) relationship

Door Thickness (D)	Bore Distance (C)		
	3	4	5
15	0	0	0
16	0	0	0
17	0	0	0
18	0	0	0
19	0.1	0.1	0.1
20	0.3	0.3	0.2
21*	0.5	0.4	0.4
22*	1.0	0.7	0.7
O.C. (B)			

* The table above shows O.C. (B) for C1 chamfering (chamfer plane).

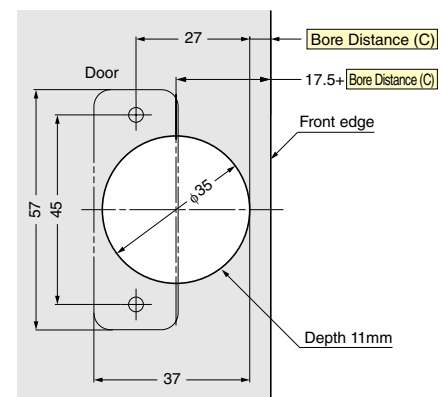
* Please refer to the locus chart if door thickness is over 20mm. O.C. (B) can be made smaller by R chamfering (round chamfer) and C chamfering (chamfer plane) on the door.

Bore distance (C) and Door Gap (b) relationship

Bore Distance (C)	3	4	5
Door Gap (b)	2	1	0

Door Gap (b) adjustment (+4mm) by turning the overlay adjustment screw. Please check required O.C. (B) at the table below.

Cut out dimensions (wooden doors)



Opening clearance (A) and door width relationship (for 20mm thick door)

Door Width	300	400	500	600
O.C. (A)	0.44	0.32	0.25	0.21

Item code	Item name	Opening angle	Type	Material	Finish	Carton
160-026-843	360-D26-OT	93°	With damper (5 levels)	Steel	Nickel	100pcs
160-026-839	360-26-OT		Without catch			200pcs
160-026-835	360-C26-OT		With catch			
160-042-392	360-U26-OT		Sprung-open			

Thick doors 26mm overlay / 100° opening

LAMP

With damper function (5 levels)



Damper power adjustment lever

The picture above shows a combination of a concealed hinge (with damper) and a mounting plate (sold separately).

Overlay
22-26mm (when bore distance is 8mm)

Cup size $\phi 40$
Bore Depth 15mm Door Thickness 18-30mm

3D adjustment
Depth: +1.7, -2.8mm, Vertical: ± 2.5 mm,
Overlay: +0, -4mm

Sold separately: ▶ P.17 -

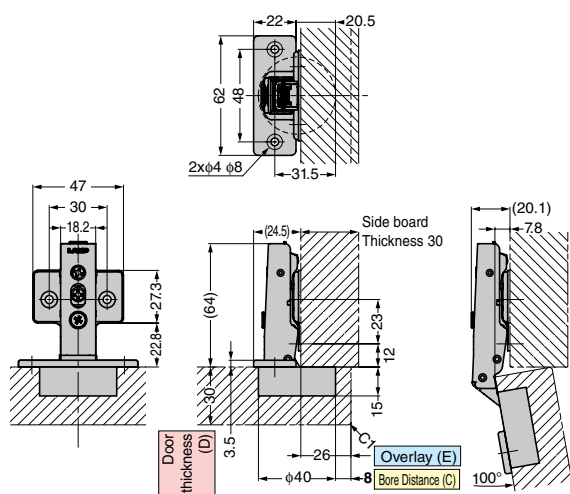
- Mounting plates
- Countersunk head tapping screw 3.5 x 15NI
- Recommended screws: (Countersunk head wood/tapping screw 3.5)

Body

Mounting plate

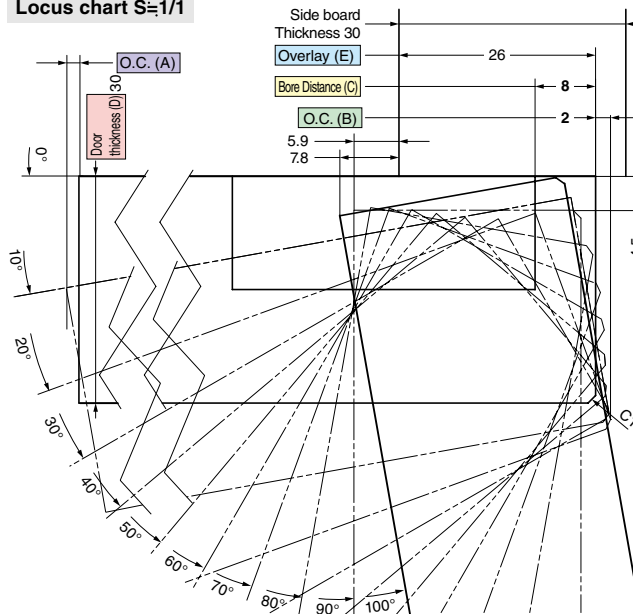
▶ The installation drawing and locus chart shown are for a 30 mm thick door and side board, 26mm overlay and a 8mm bore distance.

Installation drawing



Drawings show a hinge, face plate and 360-P4W-30T mounting plate (sold separately).

Locus chart $S=1/1$



Opening Clearance (O.C.)

Clearances for door edge O.C. (A) and hinge side O.C. (B) are necessary. O.C. (A) and (B) change depending on door thickness and bore distance (C). Refer to locus chart and tables below when designing cabinets.

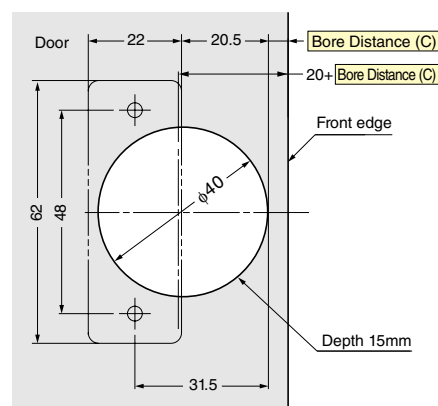
Opening clearance (B), door thickness (D) and bore distance (C) relationship

Door Thickness (D)	Bore Distance (C)					
	3	4	5	6	7	8
18	0.1	0.1	0.1	0.1	0.1	0.1
20	0.3	0.3	0.3	0.3	0.3	0.3
22	0.5	0.5	0.5	0.5	0.5	0.5
24	0.8	0.8	0.8	0.8	0.8	0.8
26	1.3	1.2	1.2	1.1	1.1	1.1
28	3.6	2.6	1.6	1.6	1.5	1.5
30	6.0	5.0	4.0	3.0	2.1	2.0
32*	8.4	7.4	6.4	5.4	4.4	3.4
34*	10.8	9.8	8.8	7.8	6.8	5.8
O.C. (B)						

* The table above shows O.C. (B) for C1 chamfering (chamfer plane).

* Please refer to the locus chart if door thickness is over 30mm. O.C. (B) can be made smaller by R chamfering (round chamfer) and C chamfering (chamfer plane) on the door.

Cut out dimensions (wooden doors)



Bore distance (C) and overlay (E) relationship

Bore Distance (C)	3	4	5	6	7	8
Overlay (E)	21	22	23	24	25	26

Overlay can be decreased by up to 4mm by turning the overlay adjustment screw.

Opening clearance (A) and door width relationship (for 30mm thick door)

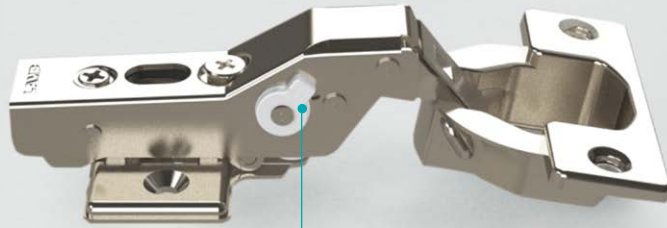
Door Width	300	400	500	600
O.C. (A)	0.35	0.25	0.19	0.16

Item code	Item name	Opening angle	Type	Material	Finish	Carton
NEW CAD 160-029-084	H360-D26-26T	100°	With damper (5 levels)	Steel	Nickel	100pcs
NEW CAD 160-029-081	H360-26-26T		Without catch			
NEW CAD 160-029-078	H360-C26-26T		With catch			

Thick doors 16 mm overlay / 100° opening

LAMP

With damper function (5 levels)



Damper power adjustment lever

The picture above shows a combination of a concealed hinge (with damper) and a mounting plate (sold separately).

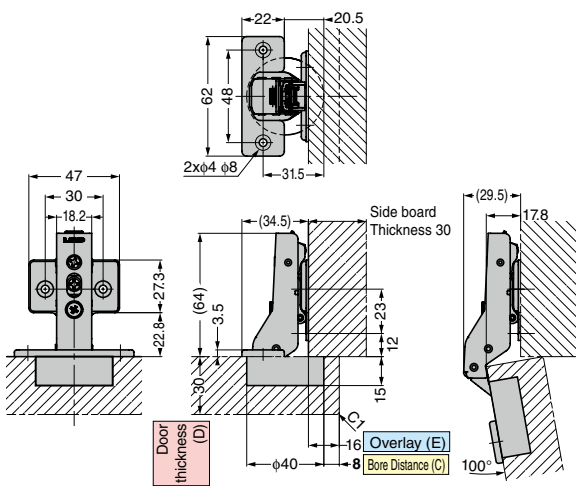
Overlay 12-16mm (when bore distance is 8mm)
Cup size $\phi 40$ Bore Depth 15mm Door Thickness 18-30mm
3D adjustment Depth: +1.7, -2.8mm, Vertical: ± 2.5 mm, Overlay: +0, -4mm

Sold separately: ▶ P.17 -

- Mounting plates
- Countersunk head tapping screw 3.5 x 15NI
- Recommended screws: (Countersunk head wood/tapping screw 3.5)

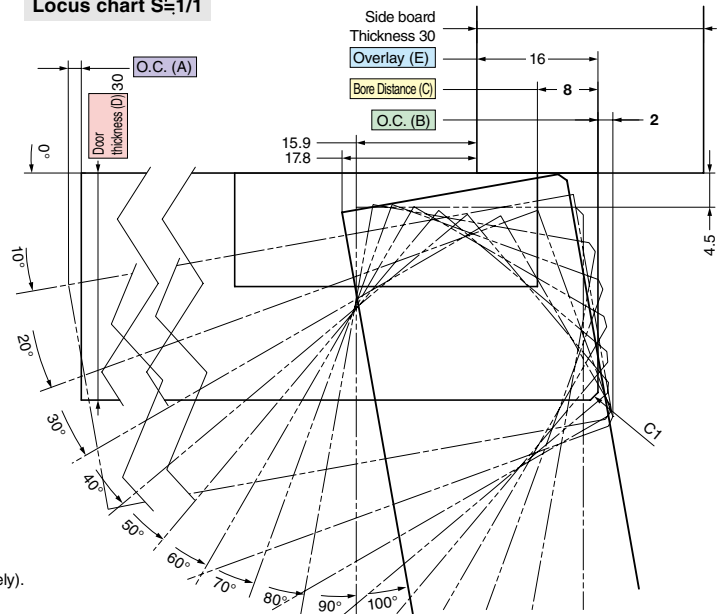
The installation drawing and locus chart shown are for a 30 mm thick door and side board, 16mm overlay and a 8mm bore distance.

Installation drawing



Drawings show a hinge, face plate and 360-P4W-30T mounting plate (sold separately).

Locus chart S=1/1



Opening Clearance (O.C.)

Clearances for door edge O.C. (A) and hinge side O.C. (B) are necessary. O.C. (A) and (B) change depending on door thickness and bore distance (C). Refer to locus chart and tables below when designing cabinets.

Opening clearance (B), door thickness (D) and bore distance (C) relationship

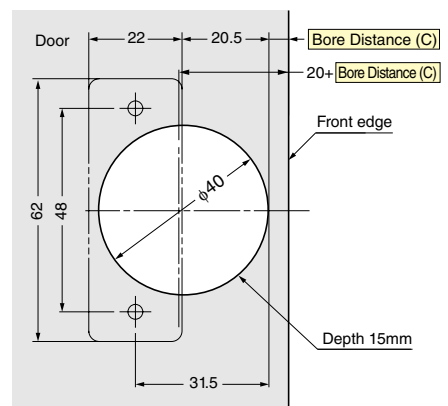
Door Thickness (D)	Bore Distance (C)					
	3	4	5	6	7	8
18	0.1	0.1	0.1	0.1	0.1	0.1
20	0.3	0.3	0.3	0.3	0.3	0.3
22	0.5	0.5	0.5	0.5	0.5	0.5
24	0.8	0.8	0.8	0.8	0.8	0.8
26	1.3	1.2	1.2	1.1	1.1	1.1
28	3.6	2.6	1.6	1.6	1.5	1.5
30	6.0	5.0	4.0	3.0	2.1	2.0
32*	8.4	7.4	6.4	5.4	4.4	3.4
34*	10.8	9.8	8.8	7.8	6.8	5.8

O.C. (B)

* The table above shows O.C. (B) for C1 chamfering (chamfer plane).

* Please refer to the locus chart if door thickness is over 30mm. O.C. (B) can be made smaller by R chamfering (round chamfer) and C chamfering (chamfer plane) on the door.

Cut out dimensions (wooden doors)



Bore distance (C) and overlay (E) relationship

Bore Distance (C)	3	4	5	6	7	8
Overlay (E)	11	12	13	14	15	16

Overlay can be decreased by up to 4mm by turning the overlay adjustment screw.

Opening clearance (A) and door width relationship (for 30mm thick door)

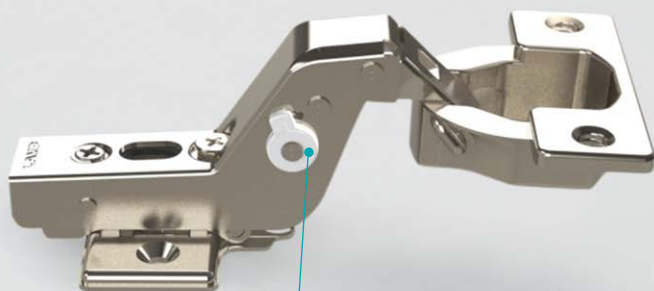
Door Width	300	400	500	600
O.C. (A)	0.35	0.25	0.19	0.16

Item code	Item name	Opening angle	Type	Material	Finish	Carton
NEW CAD G 160-029-085	H360-D26-16T	100°	With damper (5 levels)	Steel	Nickel	100pcs
NEW CAD G 160-029-082	H360-26-16T		Without catch			
NEW CAD G 160-029-079	H360-C26-16T		With catch			

Thick doors Inset / 93° opening

LAMP

With damper function (5 levels)



Damper power adjustment lever

The picture above shows a combination of a concealed hinge (with damper) and a mounting plate (sold separately).

Cup size $\phi 40$
Bore Depth 15mm Door Thickness 18-30mm

3D adjustment
Depth: +1.7, -2.8mm, Vertical: ± 2.5 mm,
Overlay: +0, -4mm

Sold separately: ▶ P.17 -

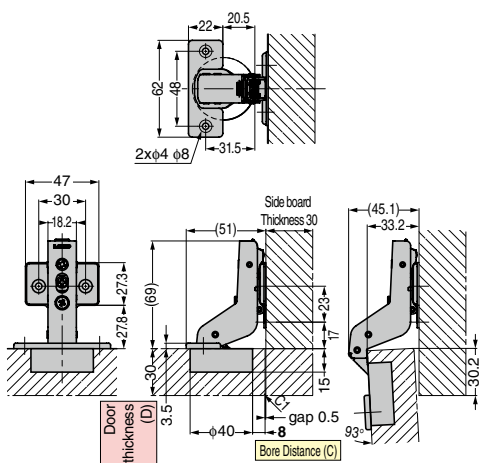
- Mounting plates
- Countersunk head tapping screw 3.5 x 15NI
- Recommended screws: (Countersunk head wood/tapping screw 3.5)

Body

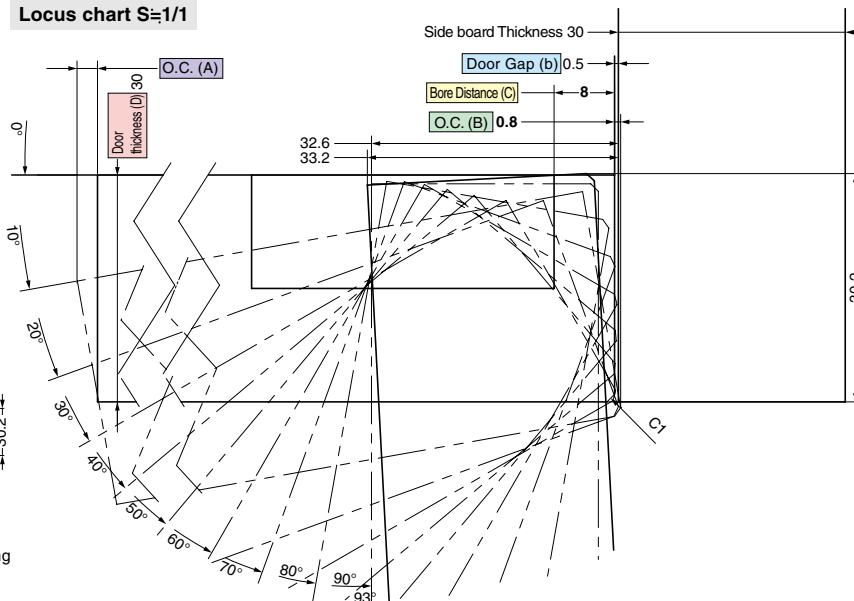
Mounting plate

▶ The installation drawing and locus chart shown are for a 30 mm thick door and side board, a 8mm bore distance and inset installation.

Installation drawing



Locus chart S=1/1



Drawings show a hinge, face plate and 360-P4W-30T mounting plate (sold separately).

Opening Clearance (O.C.)

Clearances for door edge O.C. (A) and hinge side O.C. (B) are necessary. O.C. (A) and (B) change depending on door thickness and bore distance (C). Refer to locus chart and tables below when designing cabinets.

Opening clearance (B), door thickness (D) and bore distance (C) relationship

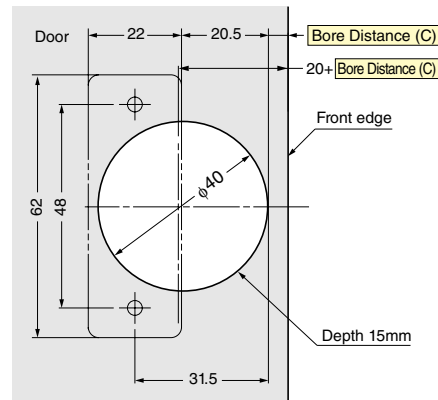
Door Thickness (D)	Bore Distance (C)					
	3	4	5	6	7	8
18	0	0	0	0	0	0
20	0	0	0	0	0	0
22	0	0	0	0	0	0
24	0.1	0.1	0.1	0.1	0.1	0.1
26	0.3	0.3	0.3	0.3	0.3	0.3
28	1.7	0.7	0.5	0.5	0.5	0.5
30	3.9	2.9	2.0	1.4	0.8	0.8
32*	5.9	4.9	3.9	3.3	2.6	2.1
34*	8.1	7.1	6.1	5.1	4.5	3.9

O.C. (B)

* The table above shows O.C. (B) for C1 chamfering (chamfer plane).

* Please refer to the locus chart if door thickness is over 30mm. O.C. (B) can be made smaller by R chamfering (round chamfer) and C chamfering (chamfer plane) on the door.

Cut out dimensions (wooden doors)



Bore distance (C) and Door Gap (b) relationship

Bore Distance (C)	3	4	5	6	7	8
Door Gap (b)	5.5	4.5	3.5	2.5	1.5	0.5

Door Gap (b) adjustment (+4mm) by turning the overlay adjustment screw. Please check required O.C. (B) at the table below.

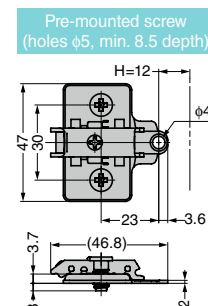
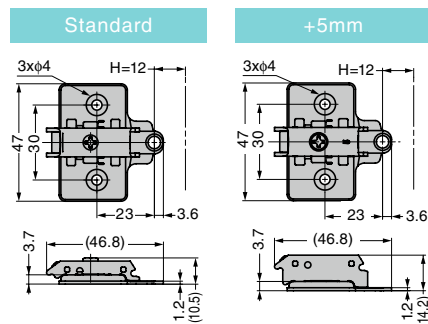
Opening clearance (A) and door width relationship (for 30mm thick door)

Door Width	300	400	500	600
O.C. (A)	0.78	0.55	0.43	0.35

Item code	Item name	Opening angle	Type	Material	Finish	Carton
NEW CAD G 160-029-086	H360-D26-0T	93°	With damper (5 levels)	Steel	Nickel	100pcs
NEW CAD G 160-029-083	H360-26-0T		Without catch			
NEW CAD G 160-029-080	H360-C26-0T		With catch			

LAMP® Mounting plates 360-P4W-30T

System 30



Specifications

○ Value of H for inset installation is door thickness + 17mm.

Item code	Item name	Type	Height adjustment	Material	Finish	Carton
160-026-844	360-P4W-30T	Standard	±2.5mm	Steel	Nickel	400pcs
160-035-077	360-P4W-30T+5	+5mm				
160-042-394	360-P4W-30T-DS	Pre-mounted screw				

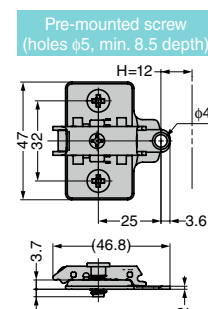
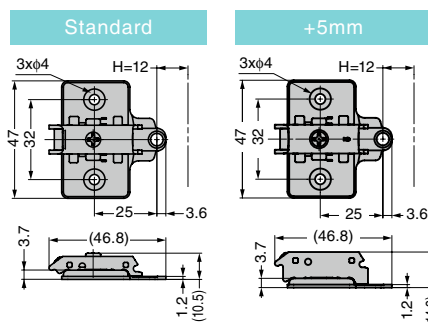
Body

Mounting plate

Option parts

LAMP® Mounting plates 360-P4W-32T

System 32



Specifications

○ Value of H for inset installation is door thickness + 17mm.

Item code	Item name	Type	Height adjustment	Material	Finish	Carton
160-026-845	360-P4W-32T	Standard	±2.5mm	Steel	Nickel	400pcs
160-035-078	360-P4W-32T+5	+5mm				
160-042-395	360-P4W-32T-DS	Pre-mounted screw				

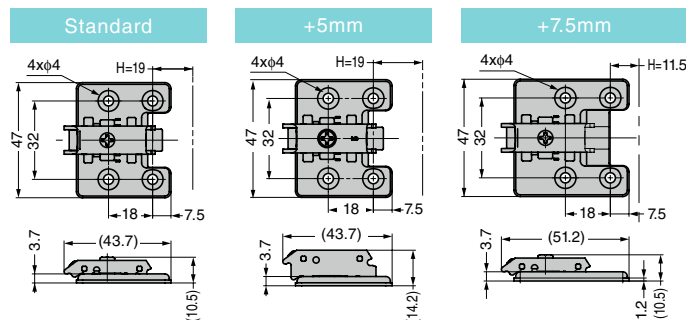
Standard doors

Thick doors

Glass doors

LAMP® Mounting plates 360-P6WT

System 32 with 4 holes

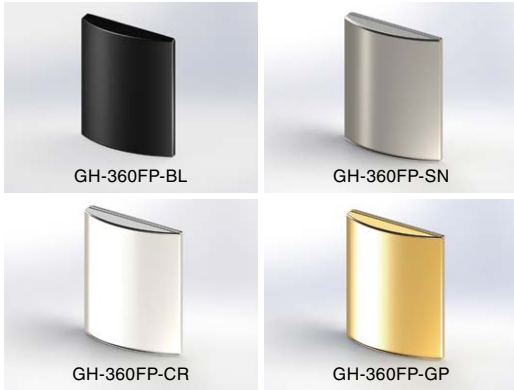


Specifications

- Value of H for inset installation is door thickness + 24mm.
- Mounting plate positioned 7.5mm closer to the front compared to a standard one.
- Value of H for inset installation is door thickness + 16.5mm.

Item code	Item name	Type	Height adjustment	Material	Finish	Carton
160-026-846	360-P6WT	Standard	±2.5mm	Steel	Nickel	400pcs
160-035-079	360-P6WT+5	+5mm				
160-042-393	360-P6W-30-32T	+7.5mm				

LAMP® Glass door face plate GH-360FP



- Glass door face plate designed specifically for the Olympia hinge.
(Not suitable for the H360 hinge).
- For tempered glass doors.
- Use the screws supplied and tighten to 0.75~1.5N.m

<Accessory>

- Cross Recessed Flat Head Machine Screw M4 x 14

	Item code	Item name	Finish / Colour	Material
NEW CAD G	160-043-631	GH-360FP-CR	Chrome plating	Zinc Alloy (ZDC) Polyacetal (POM)
NEW CAD G	160-043-632	GH-360FP-SN	Satin nickel	
NEW CAD G	160-043-724	GH-360FP-GP	24K Gold plating	
NEW CAD G	160-043-633	GH-360FP-BL	Black	

Body

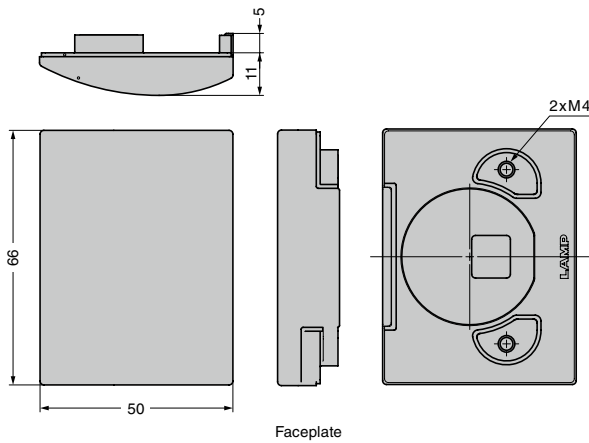
Mounting plate

Option parts

Standard doors

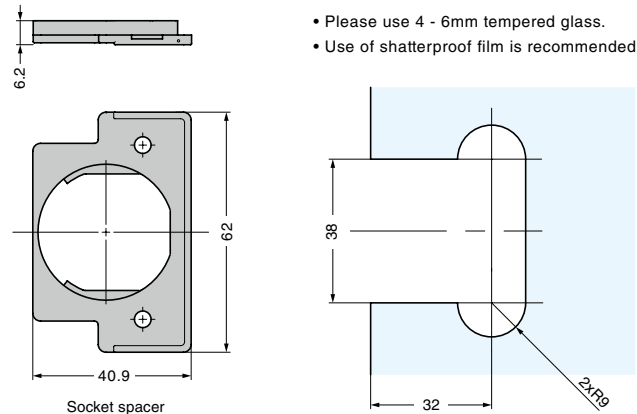
Thick doors

Glass doors



Cut Out Dimensions

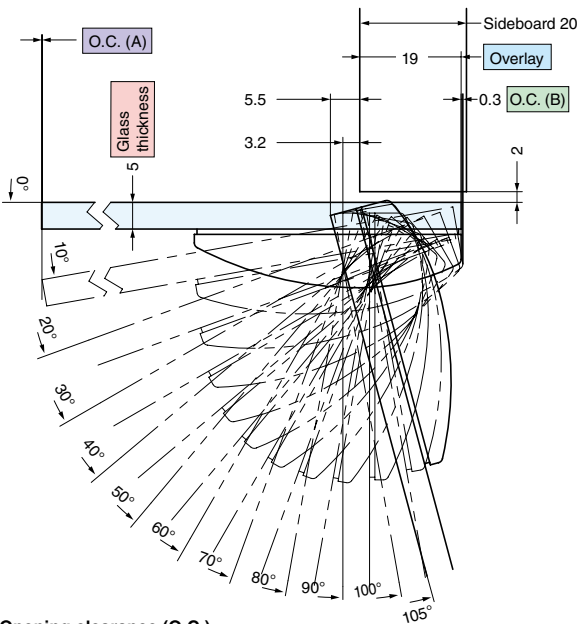
- Please use 4 - 6mm tempered glass.
- Use of shatterproof film is recommended.



Side board and face plate relationship

► For a 5mm door, 20mm sideboard and 19mm overlay.

Locus chart S=7/10 Overlay (19mm)



Opening clearance (O.C.)

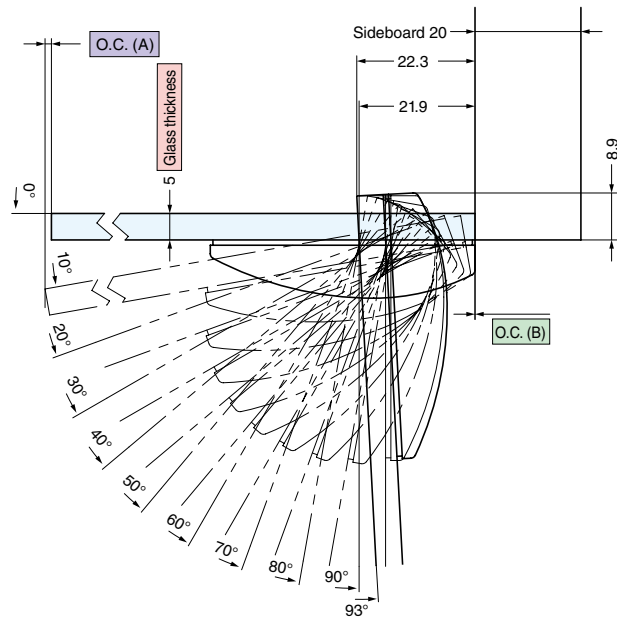
Glass thickness	4	5	6
O.C. (B)	0.2	0.3	0.5

Opening clearance (A) and door width relationship (for 5mm door)

Glass width	300	400	500	600
O.C. (A)	0.07	0.05	0.04	0.03

► For a 5mm door, 20mm sideboard and inset installation.

Locus chart S=7/10 Inset



Opening clearance (O.C.)

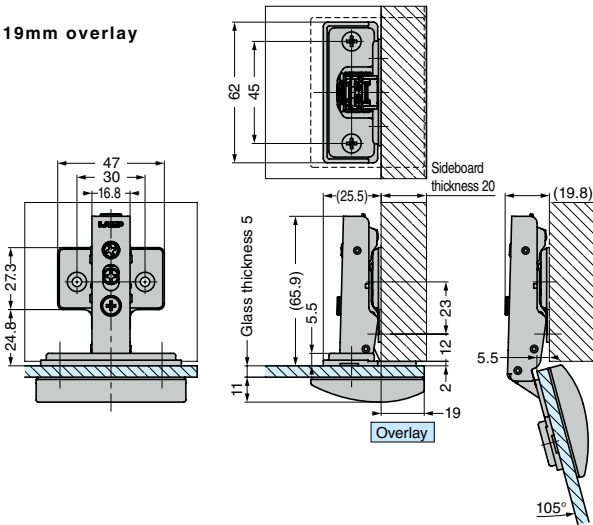
Glass thickness	4	5	6
O.C. (B)	0	0	0

Opening clearance (A) and door width relationship (for 5mm door)

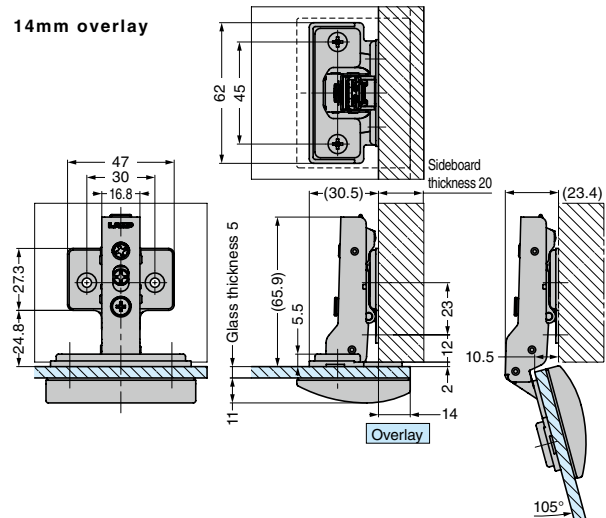
Glass width	300	400	500	600
O.C. (A)	0.34	0.25	0.19	0.16

Installation drawing

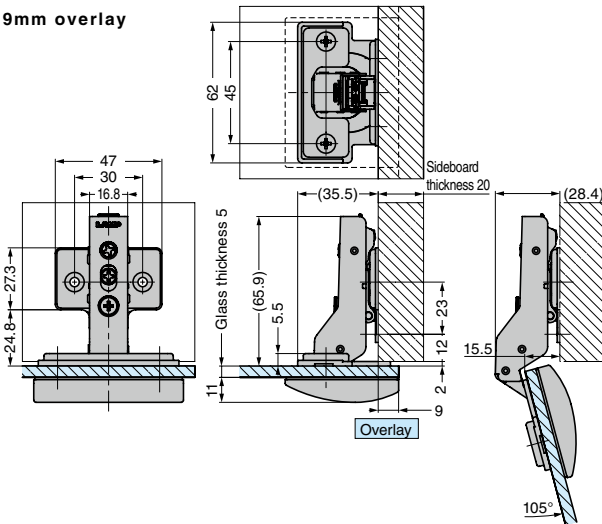
19mm overlay



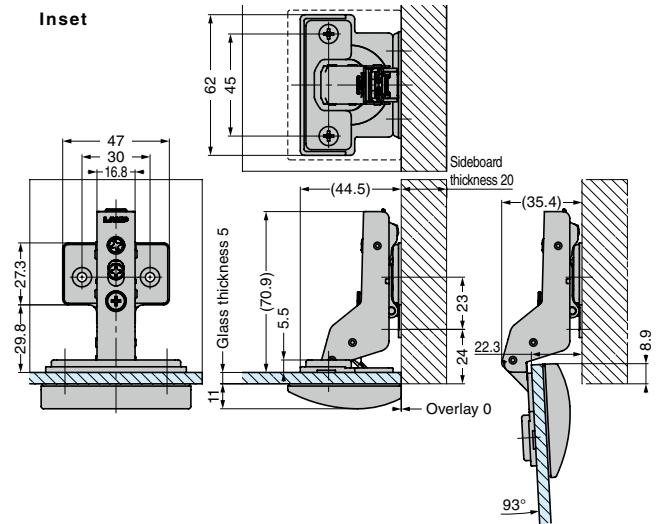
14mm overlay



9mm overlay



Inset



Drawings show a hinge, face plate and 360-P4W-30T mounting plate (sold separately).

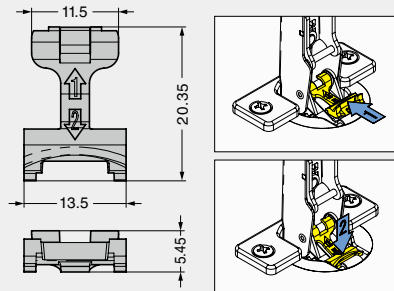
Body
Mounting plate
Option parts

Standard doors

Thick doors

Glass doors

LAMP® 85° angle limiter 360-85



○ Can be retrofitted to a 105° opening Olympia hinge (standard door) to limit the opening angle to 85°.

Item code	Item name
NEW CAD G 160-042-335	360-85

LAMP® Installation jig 360-JIG overlay installation



- For easy installation and alignment of the Olympia hinge mounting plate.
- Cannot be used in combination with 360-P6W32-32T and pre-mounted screw mounting plates.

Item code	Item name	Box	Carton
NEW CAD G 160-042-396	360-JIG	50pc	500pcs



SUGATSUNE KOGYO CO.,LTD.
Manufacturer of **LAMP** brand Products

Global Headquarters

SUGATSUNE KOGYO CO., LTD
<https://www.sugatsune-intl.com>

TOKYO OFFICE & SHOWROOM

1-8-11 Higashikanda, Chiyoda-ku Tokyo 101-8633, JAPAN
Phone +81-3-3866-2260
E-mail: export@sugatsune.co.jp

North America

SUGATSUNE AMERICA, INC.
<http://www.sugatsune.com>

LOS ANGELES OFFICE

18101 Savarona Way, Carson, CA 90746 U.S.A.
Phone +1-310-329-6373
E-mail: sales@sugatsune.com

CHICAGO OFFICE & SHOWROOM

121 West Wacker Drive #1007, Chicago, IL 60601 U.S.A.
Phone +1-312-461-1081
E-mail: chicagoshowroom@sugatsune.com

SUGATSUNE CANADA, INC.
<http://www.sugatsune.ca>

MONTREAL OFFICE

3775 Boulevard du Tricentenaire Montreal, Quebec H1B-5W3 Canada
Phone +1-514-312-6267
E-mail: support@sugatsune.ca

Europe

SUGATSUNE KOGYO (UK) LIMITED
<http://www.sugatsune.co.uk>

READING OFFICE

Unit 635 Wharfedale Road Winnersh Triangle Wokingham RG41 5TP UK
Phone +44-118-9272-955
E-mail: sales@sugatsune.co.uk

SUGATSUNE EUROPE GmbH
<http://www.sugatsune.eu>

DÜSSELDORF OFFICE

Heerdter Lohweg 87-89 D-40549 Düsseldorf Germany
Phone +49-211-53812-900
E-mail: sales@sugatsune.eu

Asia

SUGATSUNE SHANGHAI CO.,LTD.
<http://www.sugatsune.com.cn>

SHANGHAI OFFICE & SHOWROOM

1F No.2 Wan Rong Yi Road, Zha bei District, Shanghai 200436, China
Phone +86-21-3632-1858
E-mail: lamp@sugatsune.com.cn

GUANGZHOU OFFICE

Room206, No.11-13 Jie Jin Zhong Road, Fu Du Building,
Shiqiao Town, Panyu District, Guangzhou 511400, China
Phone +86-20-6639-3552
E-mail: gziamp@sugatsune.com.cn

SUGATSUNE KOGYO INDIA PRIVATE LIMITED
<https://www.sugatsune-intl.com/india>

MUMBAI OFFICE & SHOWROOM

No.G-002 & B-02, Ground Floor, KANAKIA ATRIUM-2 Next to
Courtyard Marriott Hotel, Andheri Kurla Road, Andheri East,
Mumbai-400093, Maharashtra, INDIA
Phone +91-22-2831-4490/91
E-mail: sales@sugatsune.in